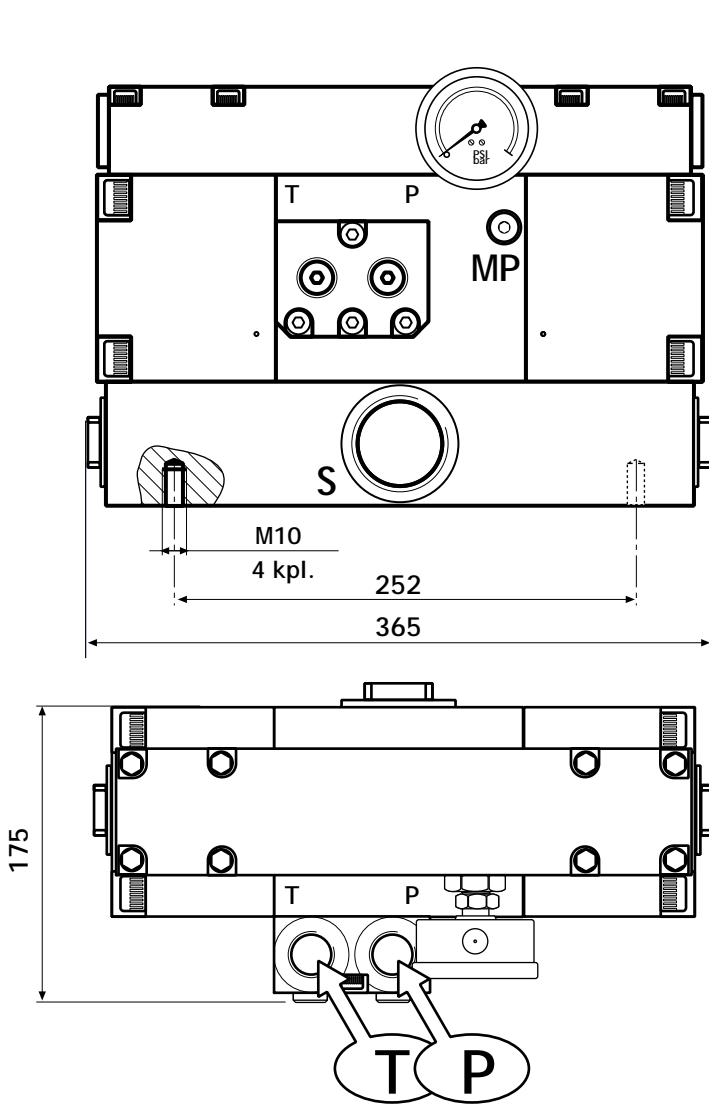
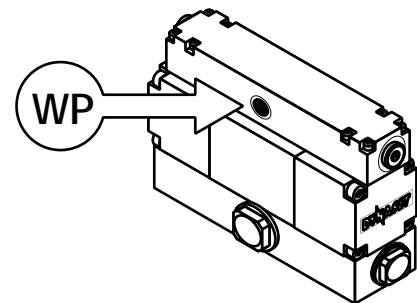


HIGH PRESSURE PUMP HDF 90/150-85

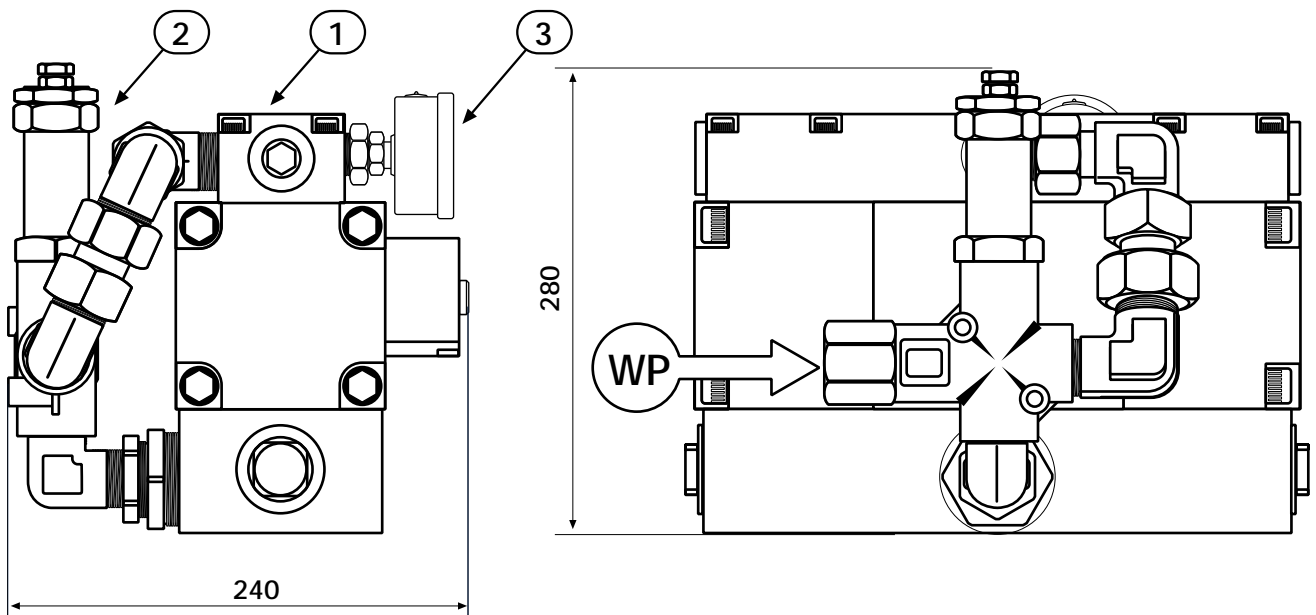
OUTLINE DIMENSIONS



FLUID CONNECTIONS			
HYDRAULIC PORTS		PUMPING FLUID PORTS	
pressure P	return T	pressure WP	intake S
BSP 3/4"	BSP 3/4"	BSP 3/4"	BSP 2"

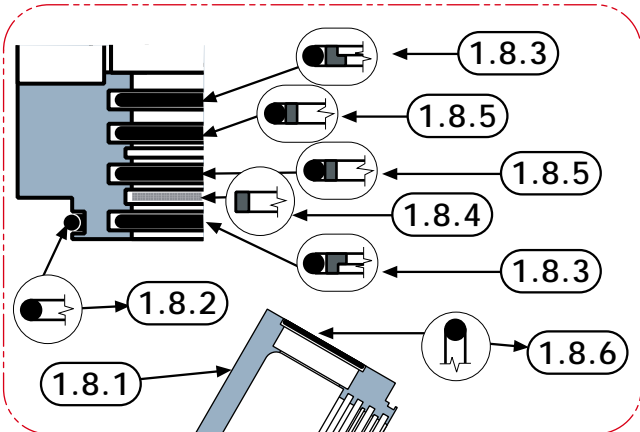
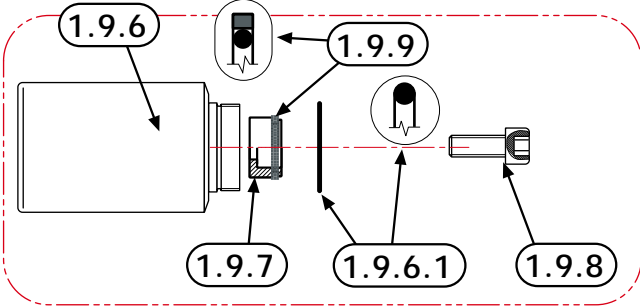
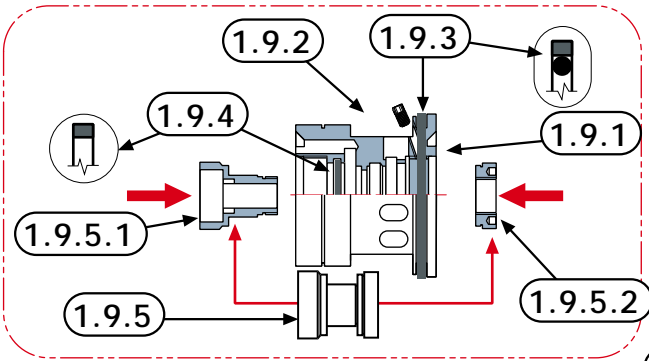
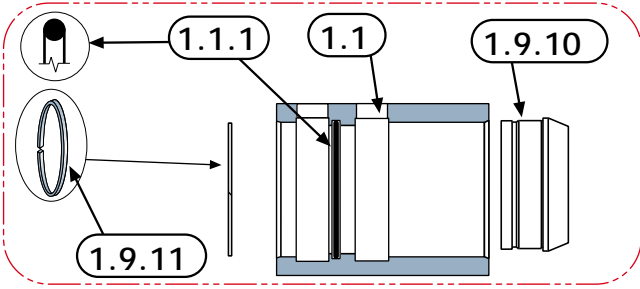


HIGH PRESSURE PUMP HDF 90/150-85

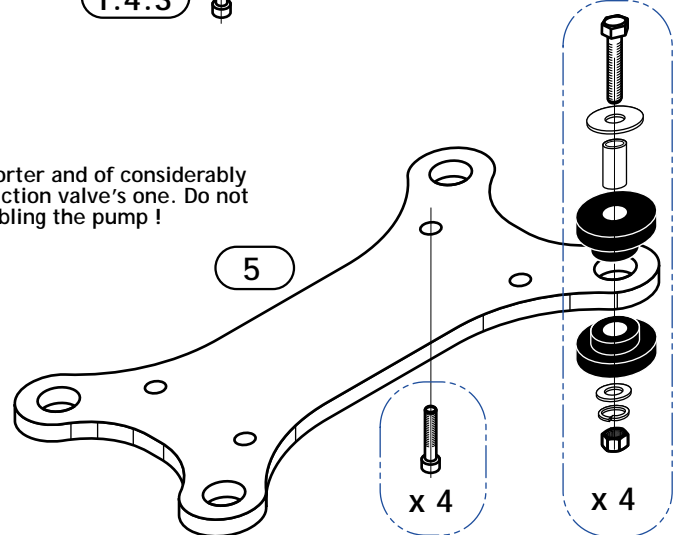
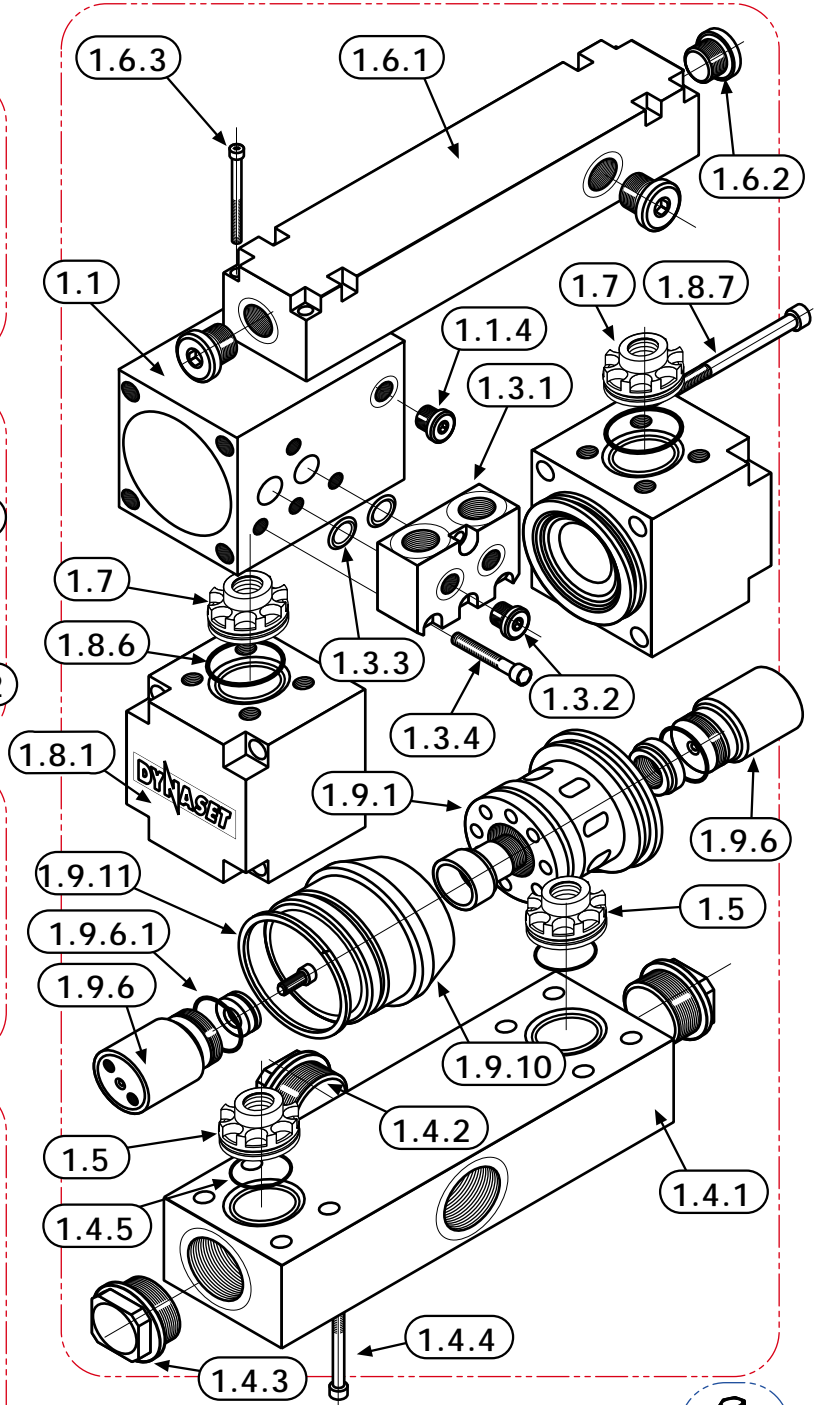
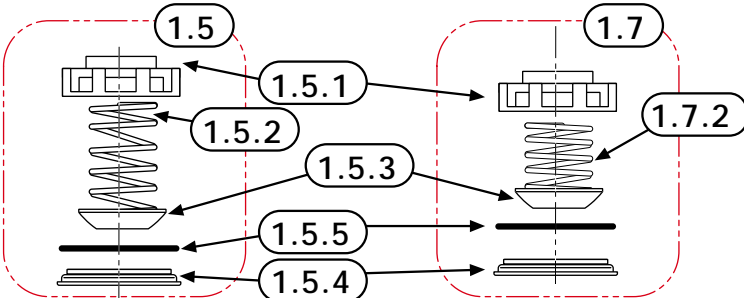


High pressure pump HDF 90/150-85 (-PA)

MAIN ASSEMBLY



Note !  
The pressure valve's spring is shorter and of considerably bigger deflection rate than the suction valve's one. Do not mix up the valves when re-assembling the pump !



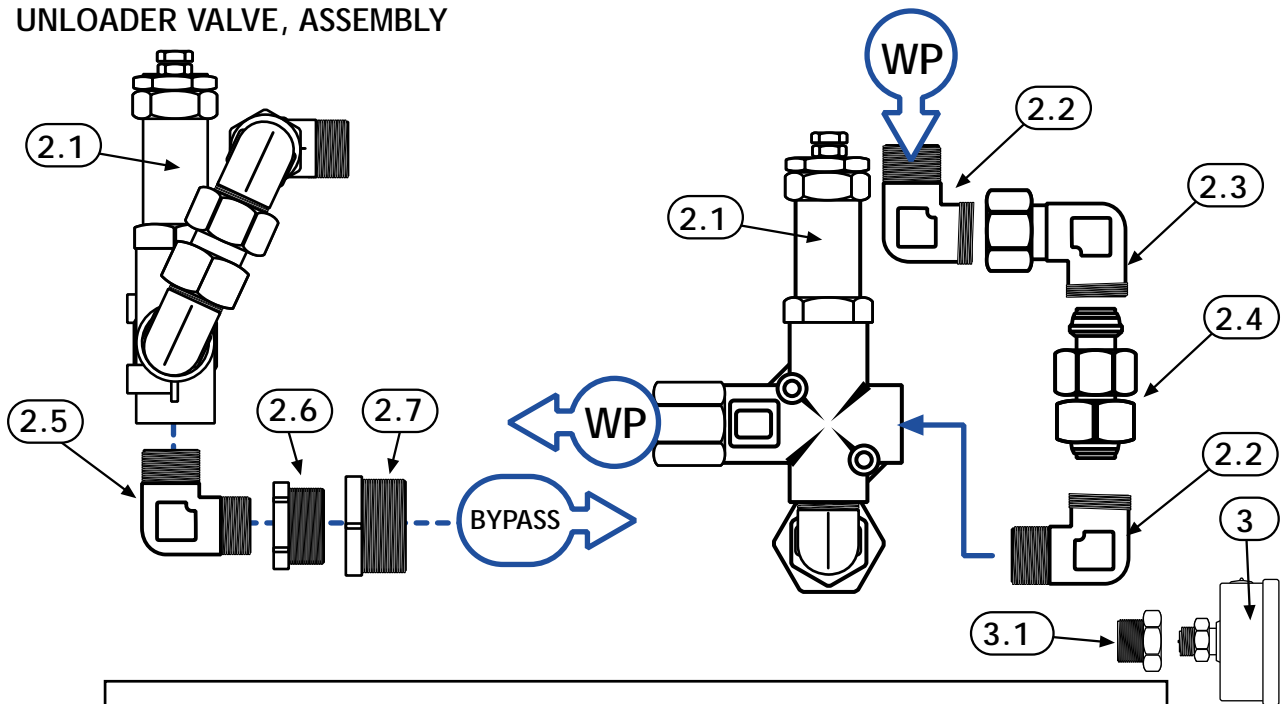
## High pressure pump HDF 90/150-85 (-PA)

## PART LIST

Pos	STOCK NUMBER	DESIGNATION	DETAILS	QUANTITY
1	D200106050	HDF-PUMP, ASSEMBLY	HDF90/150-85	
	D200106060		HDF90/150-85-PA	
1.1	0400000148	CENTRE BODY, ASSEMBLY		1
1.1.1	2204329000	SEAL	Included in seal kit	1
1.1.4	1702700000	PLUG	R1/4"	1
1.3	0400001273	P/T BLOCK		1
1.3.1	0400000613	P/T BODY	R 3/4"	1
1.3.2	1702695000	HF-PLUG	R 1/4"	2
1.3.3	2204109000	SEAL	Included in seal kit	2
1.3.4	8500412600	ALLEN SCREW	M8x45 8.8	4
1.4		SUCTION MANIFOLD R2	HDF90	1
1.4.1	0400000256	BODY	HDF90	1
1.4.2	1702865000	PLUG	RK 2 "	1
1.4.3	1702860000	PLUG	RK 1 1/2"	2
1.4.4	8500416200	ALLEN SCREW	M10x75 8.8	8
1.4.5	0490118600	SEAL 47x2.4 PU	Included in seal kit	2
1.5		SUCTION VALVE	Imu D58 including	2
1.5.1	0400000258	VALVE CAP	in water valve kit	2
1.5.2	0700000881	SPRING, SUCTION		2
1.5.3	0400000245	VALVE DISK	D44	2
1.5.4	0400000246	VALVE SEAT	D58	2
1.5.5	2204204000	WATER VALVE SEAL		2
1.6		DISCHARGE MANIFOLD	HDF90	1
1.6.1	0400000257	BODY	HDF90	1
1.6.2	1702730500	PLUG	R 1"	3
1.6.3	8500415800	ALLEN SCREW	M10x55 8.8	8
1.7	0400001304	DISCHARGE VALVE	Water valve kit	2
1.5.1	0400000258	VALVE CAP	D58	2
1.7.2	0700000880	SPRING, PRESSURE		2
1.5.3	0400000245	VALVE DISK	D44	2
1.5.4	0400000246	VALVE SEAT	D58	2
1.5.5	2204204000	WATER VALVE SEAL		2
1.8	0400001137	WATER HEAD, ASSEMBLY		2
1.8.1	0400000187	WATER HEAD BODY 63	HDF90	2
1.8.2	2204324000	SEAL	Incl. in seal kit	1 x 2
1.8.3	2104549000	WATER PISTON SEAL	1T / Incl. in seal kit	2 x 2
1.8.4	2104744000	SEAL STRIP	Incl. in seal kit	1 x 2
1.8.5	2104554000	WATER PISTON SEAL	2T / Incl. in seal kit	2 x 2
1.8.6	2204219000	DISCHARGE MANIFOLD SEAL	Incl. in seal kit	1 x 2
1.8.7	8500424400	ALLEN SCREW	M16x100 8.8	4 x 2
1.9	0400001136	PISTON ASSEMBLY		1
1.9.1	0400000201	HYDRAULIC PISTON, ASSEMBLY		1
1.9.2	8500606400	SET SCREW	M5x10	2
1.9.3	2104694000	SEAL	Included in seal kit	1
1.9.4	0400061800	SEAL	Excluded from seal kit	1
1.9.5		REVERSAL VALVE		1
1.9.5.1	0400000890	VALVE SPOOL		1
1.9.5.2	0400000891	VALVE SEAT		1
1.9.6	0400000240	WATER PISTON		2
1.9.6.1	0400061800	SEAL	Included in seal kit	2
1.9.7	0400000960	REVERSAL VALVE GUIDE		1
1.9.8	8500412000	ALLEN SCREW	M8x16	1
1.9.9	2104614000	SEAL	Excluded from seal kit	1
1.9.10	0400000255	CYLINDER LINER		1
1.9.11	8107367000	LOCKING RING	85-2,5	1
2	V100102850	WATER PRESSURE UNLOADER VALVE, COMPLETE DYVB 200-150	Optional	1
3	1501303000	PRESSURE GAUGE, complete	Optional	1
5	0409011783	Mounting kit	Optional	1
	V100101718	HDF Seal kit		
	V100101799	Water valve kit		

NOTE ! WHEN ORDERING PARTS, UNIT'S TYPE, MODEL AND SERIAL NUMBER SHOULD BE QUOTED, TOGETHER WITH THE PART DESCRIPTION.

## UNLOADER VALVE, ASSEMBLY



2. UNLOADER VALVE, ASSEMBLY				
2.1	6306436000	VALVE	DYVB 200-150	1
2.2	1702026000	ELBOW FITTING	28L RK 1"	2
2.3	1702127000	SWIVEL ELBOW FITTING	28L	1
2.4	8707782000	PRESSURE PIPE	D28 45	1
2.5	1702380000	ELBOW FITTING	RK 1"- R1"	1
2.6	1703000000	REDUCER	RK 1 1/2 "- R 1"	1
2.7	1703005500	REDUCER	RK 2"- R 1 1/2"	1
3	1501303000	PRESSURE GAUGE, COMPLETE		1
3.1	1702905500	REDUCER	1" / - 1/4"	1
SEAL KIT				
1.1.1	2204329000	SEAL	CENTRE BODY	1
1.3.3	2204109000	SEAL	P/T BLOCK	2
1.4.5	0490118600	SEAL	SUCTION MANIFOLD	2
1.5.5	2204204000	SEAL	WATER VALVE	2 + 2
1.8.2	2204324000	SEAL	W-HEAD/W-PISTON	1 x 2
1.8.3	2104549000	SEAL 1T	W-HEAD/W-PISTON	2 x 2
1.8.4	2104744000	SEAL STRIP	W-HEAD/W-PISTON	1 x 2
1.8.5	2104554000	SEAL 2T	W-HEAD/W-PISTON	2 x 2
1.8.6	2204219000	SEAL	V-HEAD/DISCH.MANIF.	1 x 2
1.9.3	2104694000	SEAL	HYDRAULIC PISTON	1
WATER VALVE KIT				
1.5		SUCTION VALVE		2
1.7	0400001304	DISCHARGE VALVE		2
1.5.5	2204204000	WATER VALVE SEAL		2 x 2
NOTE !	<i>EXCLUDED:</i>			
1.5.1	0400000258	VALVE CAP	AVAILABLE BY REQUEST	1 x 2
SCREW KIT				
1.3.4	8500412600	SCREW	M8x45 8.8	4
1.4.4	8500416200	SCREW	M10x75 8.8	8
1.6.3	8500415800	SCREW	M10x55 8.8	8
1.8.7	8500424400	SCREW	M16x100 8.8	4 x 2
<i>AVAILABLE BY REQUEST:</i>				
1.9.2	8500606400	SET SCREW	M5x10	2
1.9.8	8500412000	SCREW	M8x16	1

## High pressure pump HDF 90/150-85 (-PA)

## TECHNICAL CHARACTERISTICS

PARAMETERS		HDF 90/150-85	
<b>WATER POWER</b>			
WATER FLOW	max	l/min	150
WATER PRESSURE	max	bar	90
WATER TEMPERATURE	max	°C	70 °C
PUMPING POWER	max	kW	22,5
SUCTION HEAD	max	m	3
WATER FEED PRESSURE	min-max	bar	-0,3 ...10
PRESSURE RATIO	water/hydraulic		0,52
SPEED RATIO		1/min	575
WATER PISTONS	outer diameter	mm	D 63
<b>WATER CONNECTIONS</b>			
PRESSURE LINE			BSP 3/4"
SUCTION / FEED LINE			BSP 2"
PRESSURE HOSE	recommendation		3/4"
SUCTION HOSE	recommendation		1 1/2"
WATER FILTER	min.	mesh	80
<b>HYDRAULIC CONNECTIONS</b>			
PRESSURE LINE		P	BSP 3/4"
RETURN LINE		T	BSP 3/4"
SERVICE LINE		S	BSP 1/4"
<b>HYDRAULIC FLUID REQUIREMENTS</b>			
VISCOSITY		cSt	10 - 200 / optimal 25 - 35
TEMPERATURE		°C	max. 70
FILTER RATIO	recommendation	µm	min. 25
COOLING CAPACITY	recommendation	kW	4
<b>HYDRAULIC POWER REQUIREMENTS</b>			
HYDRAULIC FLUID FLOW		l/min	85
OPERATING PRESSURE	Δp	bar	190
MAXIMUM PRESSURE		bar	210
IDLE RUN PRESSURE		bar	10
RETURN LINE PRESSURE	max	bar	210
WEIGHT		kg	30
PRESSURE GAUGE			OPTIONAL
WATER PRESSURE UNLOADER	PA		OPTIONAL
LS-VALVE	LS		OPTIONAL