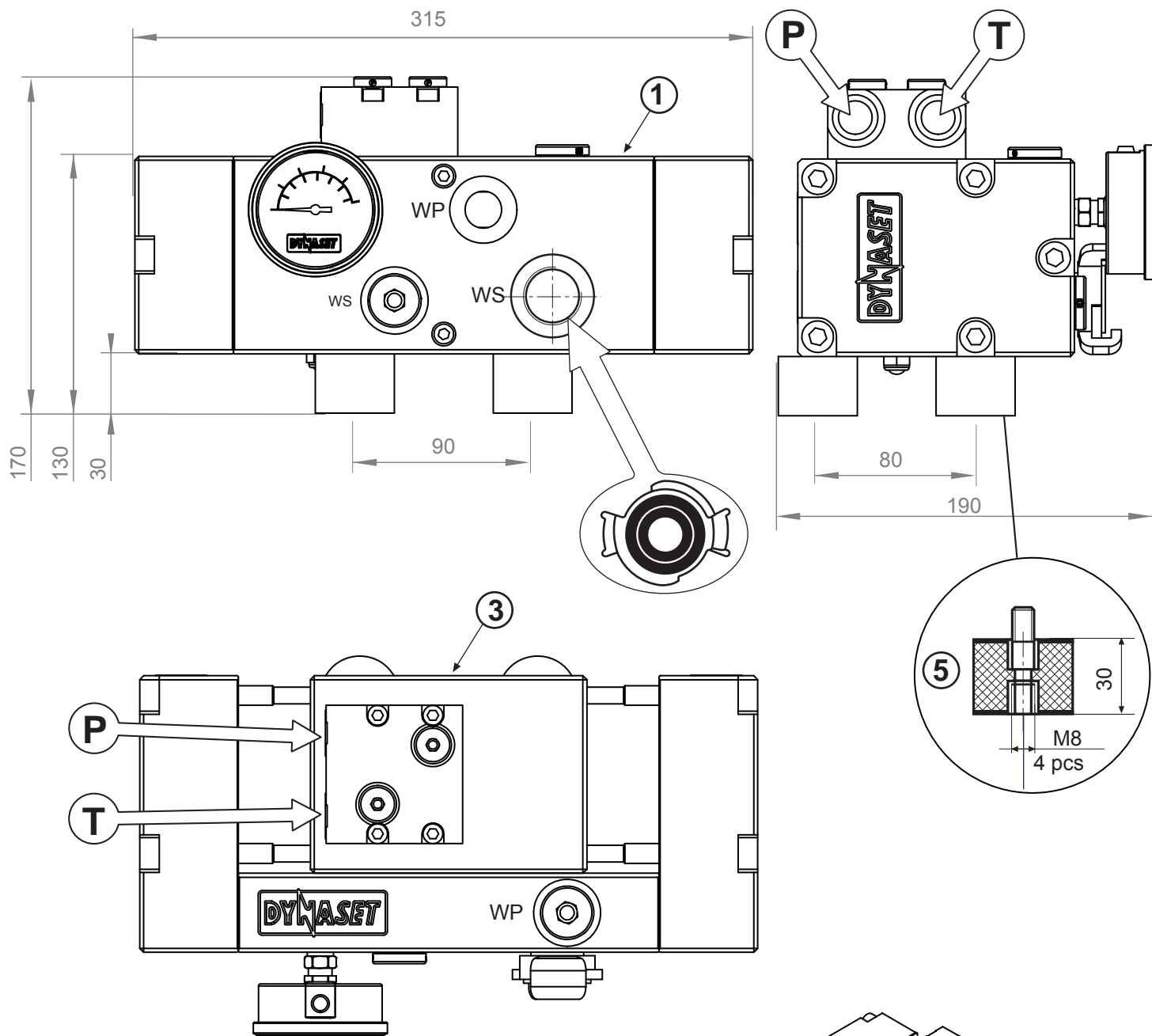
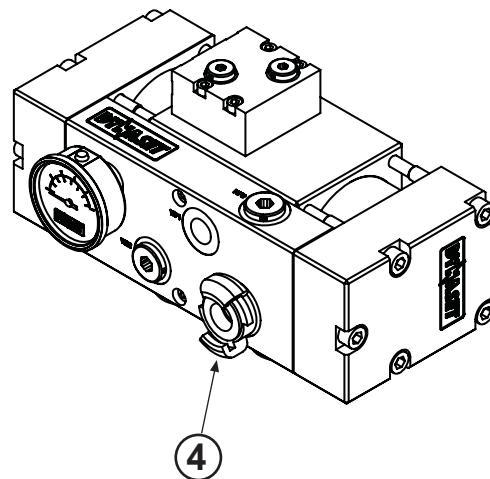


**OUTLINE DIMENTIONS**

**HIGH PRESSURE PUMP HDF 40/40-8**

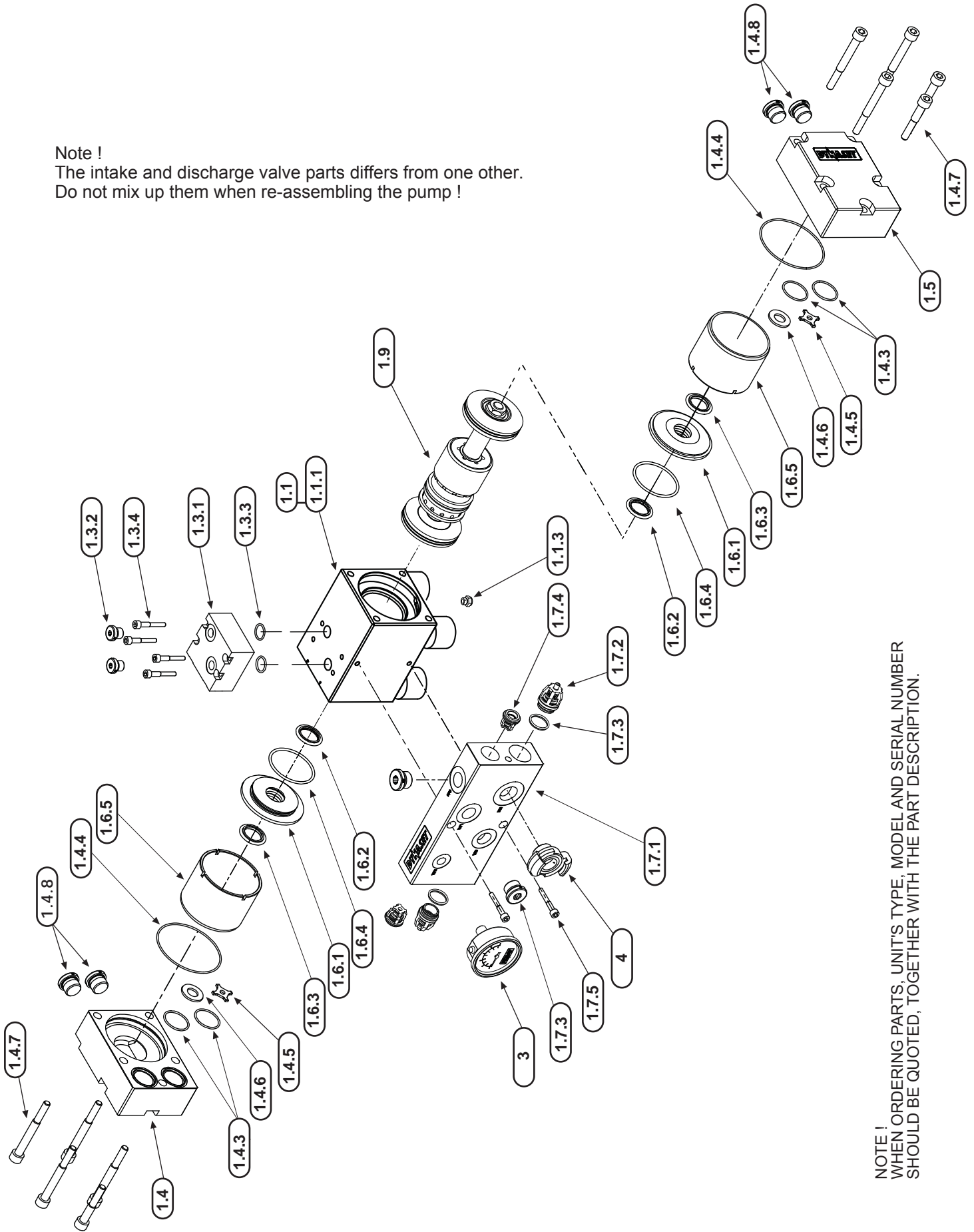


FLUID CONNECTIONS			
HYDRAULIC PORTS		PUMPING FLUID PORTS	
pressure P	return T	pressure WP	intake WS
BSP 1/2"	BSP 1/2"	BSP 1/2"	BSP 3/4"



### MAIN ASSEMBLY

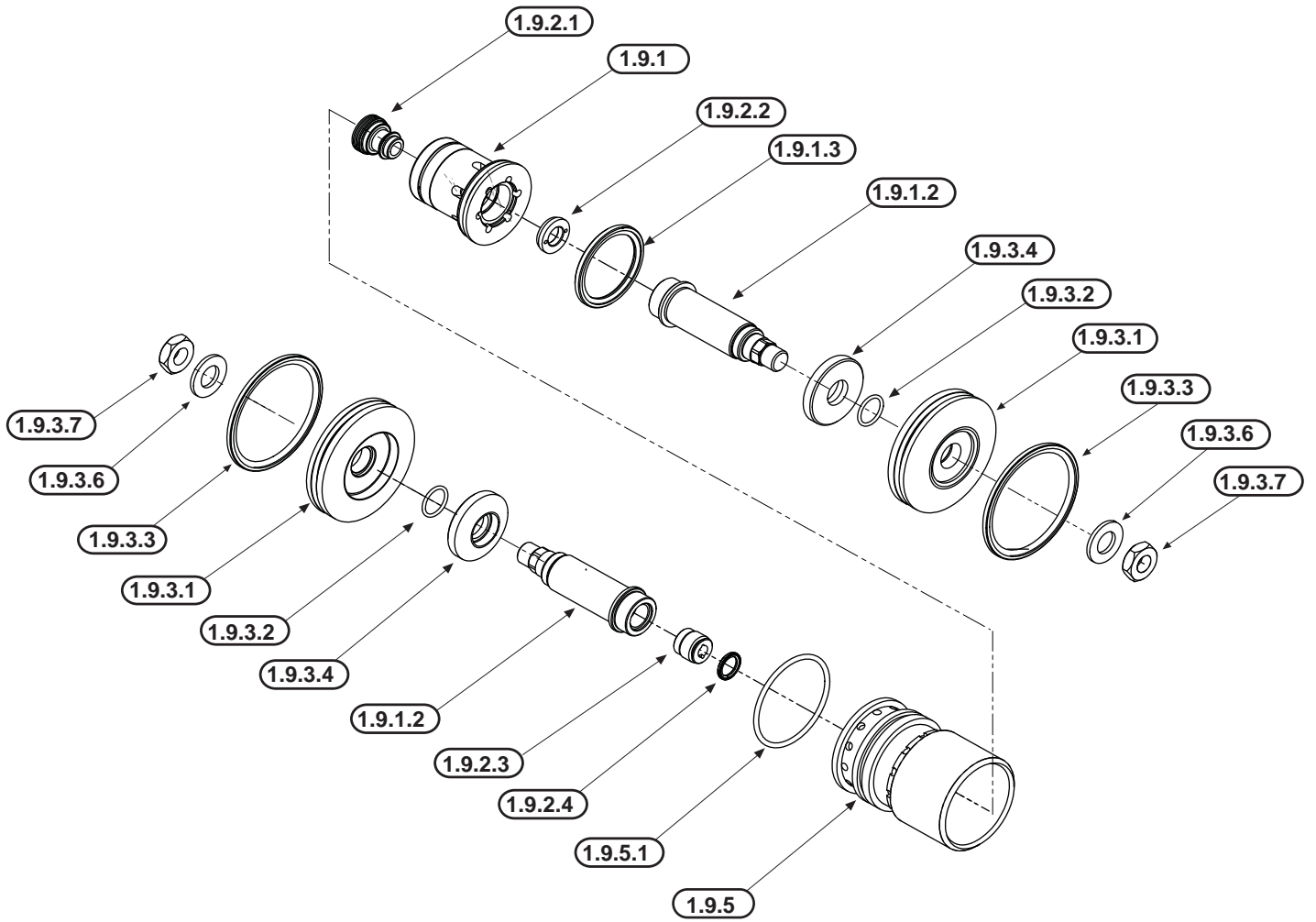
Note !  
The intake and discharge valve parts differs from one other.  
Do not mix up them when re-assembling the pump !



NOTE !  
WHEN ORDERING PARTS, UNIT'S TYPE, MODEL AND SERIAL NUMBER  
SHOULD BE QUOTED, TOGETHER WITH THE PART DESCRIPTION.



### HYDRAULIC / WATER PISTON ASSEMBLY



## PART / COMPONENT LIST

Pos	STOCK NUMBER	DESIGNATION	DETAILS	QUANTITY
1	D200106030	HPW-PUMP, ASSEMBLY	HDF40/40-8	
1.1	0409015260	CENTRE BODY, ASSEMBLY		1
1.1.1	0409014789	BLOCK 55	HDF40/40-8	1
1.1.3	1702705000	SUPPRESSOR	R 1/8"	2
1.3	0400001122	P/T BLOCK, ASSEMBLY		1
1.3.1	0400000222	BODY	R 1/2"	1
1.3.2	1702695000	HF-PLUG	R 1/4"	2
1.3.3	2204084000	SEAL	Included into a seal kit	2
1.3.4	8500409800	ALLEN SCREW	M6x40 8.8	4
1.4	0409015251	WATER HEAD, LEFT, ASSEMBLY		1
1.4.1	0409015248	HEAD BODY, LEFT	78	1
1.4.3	2204293700	SEAL 31	Included into a seal kit	2
1.4.4	2204326000	O-RING 85	Included into a seal kit	1
1.4.5	0409015249	STAR PLATE, SUCTION		1
1.4.6	0409015250	O-PLATE, DISCHARGE		1
1.4.7	8500416400	ALLEN SCREW	M10x90 8.8	4
1.4.8	8500415900	ALLEN SCREW	M10x60 8.8	1
1.4.9	1702715000	PLUG, SOCKET HEAD	R 1/2"	2
1.5	0409015251	WATER HEAD, RIGHT, ASSEMBLY		1
1.5.1	0409015248	HEAD BODY, RIGHT	78	1
1.4.3	2204293700	SEAL 31	Included into a seal kit	2
1.4.4	2204326000	O-RING 85	Included into a seal kit	1
1.4.5	0409015249	STAR PLATE, SUCTION		1
1.4.6	0409015250	O-PLATE, DISCHARGE		1
1.4.7	8500416400	ALLEN SCREW	M10x90 8.8	4
1.4.8	8500415900	ALLEN SCREW	M10x60 8.8	1
1.4.9	1702715000	PLUG, SOCKET HEAD	R 1/2"	2
1.6	0409015259	SEALING FLANGE ASSEMBLY	HDF40/40-8	2
1.6.1	0409014793	FLANGE BODY		2
1.6.2	2104504000	WATER PISTON SEAL, 1T	Included into a seal kit	2
1.6.3	2104505000	WATER PISTON SEAL, 2T	Included into a seal kit	2
1.6.4	2204304000	FLANGE SEAL	Included into a seal kit	2
1.6.5	0409014788	CYLINDER	78	2
1.7	0409015254	INTAKE / DISCHARGE ASSEMBLY	HDF40/40-8	1
1.7.1	0409015253	INTAKE DISCHARGE BLOCK		1
1.7.2	0400009492	DISCHARGE VALVE ASSEMBLY	D25	2
1.7.3	2204149000	O-RING		2
1.7.4	0409015255	WATER VALVE ASSEMBLY	D30	2
1.7.5	1702715000	PLUG, SOCKET HEAD	R 1/2"	2
1.7.6	8500409800	ALLEN SCREW	M6x40 8.8	2
1.9	0409015261	PISTON ASSEMBLY		
1.9.1	0400020800	HYDRAULIC PISTON	55	1
1.9.1.2	0409014758	HYDRAULIC PISTON ROD	24	2
1.9.1.3	2104639500	SEAL, 2T	Included into a seal kit	1
1.9.2	0409015261	REVERSAL VALVE ASSEMBLY		1
1.9.2.1	0400021679	VALVE SPOOL		1
1.9.2.2	0400021680	VALVE SEAT		1
1.9.2.3	0400001062	REVERSAL VALVE GUIDE		1
1.9.2.4	2104594000	SEAL, 2T M18/13	Excluded from seal kit	1
1.9.3	0409015297	WATER PISTON ASSEMBLY	HDF40/40-8	2
1.9.3.1	0409014767	WATER PISTON	78	2
1.9.3.2	2204084000	O-RING		2
1.9.3.3	0409015419	SEAL		2
1.9.3.4	0409014361	SUPPORT DISK		2
1.9.3.6	8501126250	WASHER	14x28-2,5	2
1.9.3.7	8500890000	NUT	M14	2
1.9.5	0400020801	CYLINDER LINER		1
1.9.5.1	2204304000	SEAL 57,00x3,00	Included into a seal kit	1
3	1501301000	PRESSURE GAUGE, COMPLETE	D63, 60 bar, 1/4	1
4	1703275000	HOSE COUPLING	25-R3/4	1
5	8307565000	RUBBER CUSHION	40/30-M8	4

**SEAL AND SPARE PART KITS****SEAL KIT**

1.3.3	2204084000	SEAL		2
1.4.3	2204293700	SEAL 31	Included into a seal kit	2
1.4.4	2204326000	O-RING 85	Included into a seal kit	1
1.6.2	2104504000	WATER PISTON SEAL, 1T	Included into a seal kit	2
1.6.3	2104505000	WATER PISTON SEAL, 2T	Included into a seal kit	2
1.6.4	2204304000	FLANGE SEAL	Included into a seal kit	2
1.9.1.3	2104639500	SEAL, 2T	Included into a seal kit	1
1.9.2.4	2104594000	SEAL, 2T M18/13	EXCLUDED FROM A SEAL KIT	1
1.9.3.2	2204084000	O-RING		2
1.9.3.3	0409015419	SEAL		2
1.9.5.1	2204304000	SEAL 57,00		1

**INTAKE / DISCHARGE VALVE KIT**

1.4.3	2204293700	SEAL 31	Included into a seal kit	2
1.7.2	0400009492	DISCHARGE VALVE ASSY	D25	2
1.7.3	2204149000	O-RING		2
1.7.4	0409015255	WATER VALVE ASSEMBLY	D30	2

**SCREW KIT**

1.3.4	8500409800	SCREW	M6x40 8.8	4
1.4.7	8500416400	ALLEN SCREW	M10x90 8.8	4
1.7.6	8500409800	ALLEN SCREW	M6x40 8.8	4

**TECHNICAL CHARACTERISTICS**

PARAMETERS		HDF 40/40-8	
<b>WATER POWER</b>			
WATER FLOW	max	l/min	40
WATER PRESSURE	max	bar	40
WATER TEMPERATURE	max	°C	50 °C
PUMPING POWER	max	kW	2,6
SUCTION HEAD	max	m	3
WATER FEED PRESSURE	min-max	bar	-0,3 ...16
PRESSURE RATIO	water/hydraulic		1/5
MAX SPEED		1/min	750
WATER PISTONS	outer diameter	mm	D78
<b>WATER CONNECTIONS</b>			
PRESSURE LINE			BSP 1/2"
SUCTION / FEED LINE			BSP 3/4"
PRESSURE HOSE	recommendation		1/2"
SUCTION HOSE	recommendation		3/4"
<b>WATER FILTER</b>	min.	mesh	80
<b>HYDRAULIC CONNECTIONS</b>			
PRESSURE LINE		P	BSP 1/2"
RETURN LINE		T	BSP 1/2"
SERVICE LINE		S	BSP 1/4"
<b>HYDRAULIC FLUID REQUIREMENTS</b>			
VISCOSITY		cSt	10 - 200 / optimal 25 - 35
TEMPERATURE		°C	max. 80
FILTER RATIO	recommendation	um	min. 25
COOLING CAPACITY	recommendation	kW	0,5
<b>HYDRAULIC POWER REQUIREMENTS</b>			
HYDRAULIC FLUID FLOW		l/min	8
OPERATING PRESSURE	$\Delta p$	bar	200
MAXIMUM PRESSURE		bar	210
IDLE RUN PRESSURE		bar	10
RETURN LINE PRESSURE	max	bar	40
<b>WEIGHT</b>		kg	8
<b>PRESSURE GAUGE</b>			OPTIONAL
<b>WATER PRESSURE UNLOADER</b>	ST		OPTIONAL
<b>LS-VALVE</b>	LS		OPTIONAL